



Damrongsilp
GROUP



RC FORMULA

THE ECONOMIC COMFORT

2X2 seat Configuration , Manual Reclining,
Manual Leg Support , Genuine/Fabric/PVC Upholstery ,
Footrest , Back Handle ,
Magazine Net , Single Armrest Wood/Black PU,
Maximum Reclining 135 Degree ,
Headrest Adjustable UP Down

Options :

Massager Vibration/Air Massager,
Foodtray , Cup Holder ,
Double Armrest/ Triple Armrest ,
Seatbelt 2 Points Auto/ Manual
Slideable Footrest

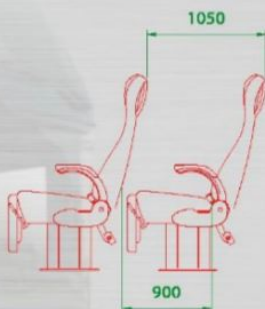
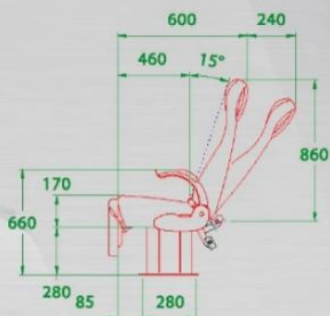
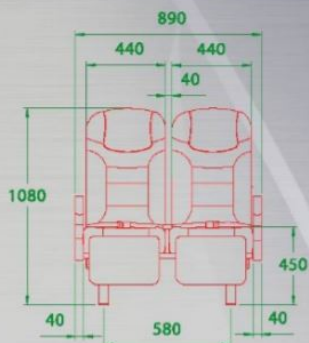


**MANUFACTURING AND EXPORTING AUTOMOTIVE SEATS
AND ACCESSORIES FROM HIGH TECHNOLOGY EQUIPMENTS
AND INTERNATIONAL STANDARD QUALITY**

AUTOMOTIVE SEAT LEADER

AUTOMOTIVE SEAT LEADER

RC FORMULA : Specification



Using the very latest,
highly automated
manufacturing systems.

Damrongsilp Group

95 Moo 1 Malaiman Rd., Tungcok, Songpeenong, Suphanburi 72110 Thailand

Tel. +66 0 3547 3873-4 Fax. +66 0 3554 1269 , +66 0 3546 2852

f <http://www.facebook.com/damrongsilpgroup>

<http://www.damrongsilp.co.th> Email : info@damrongsilp.co.th

